



## 关于卧龙

---

1984

30

## 产品介绍

---

卧龙集团

1Ph 230VAC 50/60Hz			
0.15kW-0.3kW			
0.6			
-25	60	-40	
-30-40			
0-10V RS485			
B3 B30 B14			
IP20 IP44 IP55 IP66			
C3-H C4-H			
UL	CE	CCC	

3Ph 380-480VAC 50/60Hz			
1.1 2.2kW			
0.9			
-25	-55	-40	
-30-40			
0-10V RS485			
B3 B30 B14			
IP55 IP66			
C3-H C4-H			
UL	CE		

	[V]	[Hz]	[kW]	[r/min]		[A]	[%]
EM4210A15***	1-220-240	50/60	0.15	720/960/1000/1050/1200	200-1200	1.4	80%
EM4210A13***	1-220-240	50/60	0.25	720/960/1000/1050/1200	200-1200	2.1	81%
EM4210A12***	1-220-240	50/60	0.37	960/1000/1050/1200	200-1200	2.8	82%
EM4210B15***	1-220-240	50/60	0.15	1350/1500/1800/2200	200-2200	1.5	81%
EM4210B13***	1-220-240	50/60	0.25	1350/1500/1800/2200	200-2200	2.2	82%
EM4210B12***	1-220-240	50/60	0.3	1350/1500/1800/2200	200-2200	3	83%

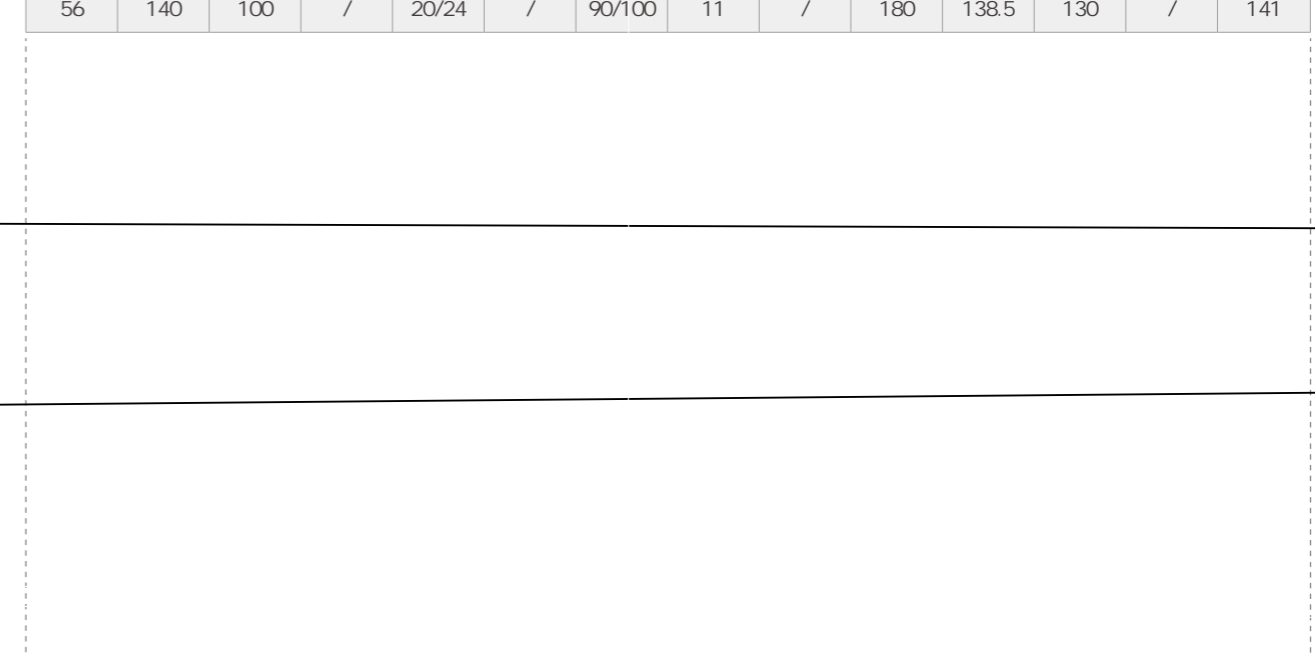
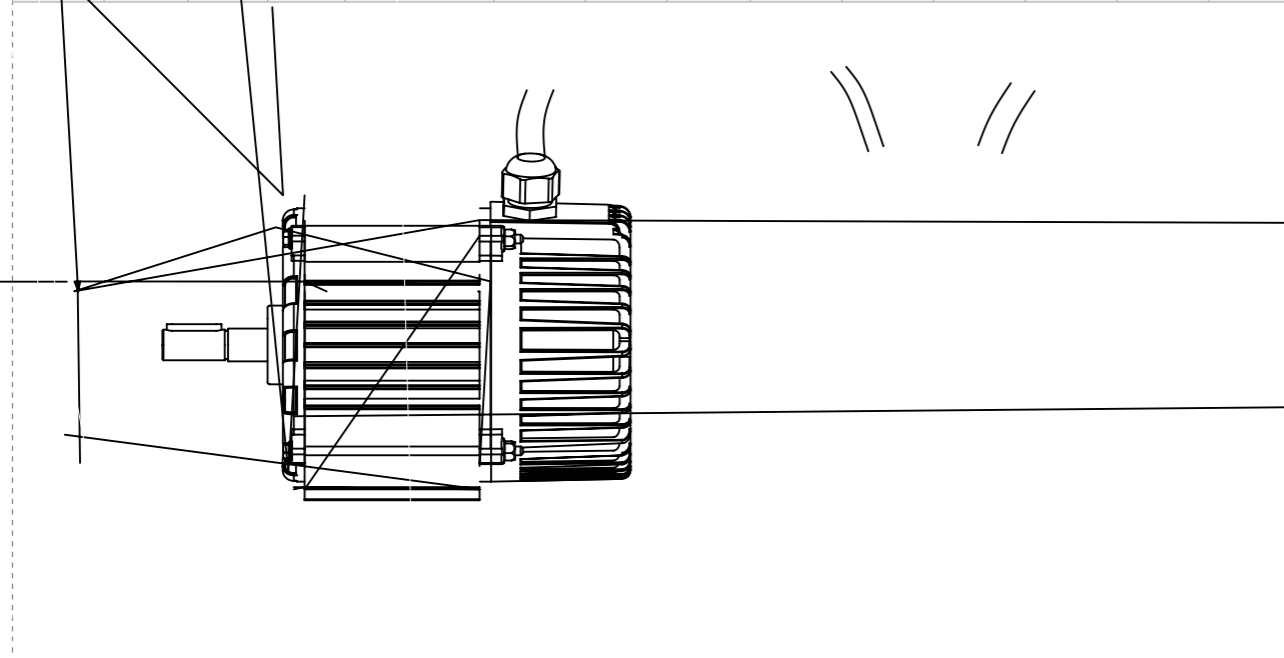
  

	A	B	C	D	E	H	K	L	AB	AC	BB	EB	HD
42	112	90	45	12.7/15/17/20	/	71	8.5	244	135	102.5	110	/	135

	[V]	[Hz]	[kW]	[r/min]		[A]	[%]
EM5610A32***	3-380-480V	50/60	1.1	720/960/1000/1050/1200	200-1200	2.4	86%
EM5610A21***	3-380-480V	50/60	1.5	720/960/1000/1050/1200	200-1200	3.2	87%
EM5610A31***	3-380-480V	50/60	2.2	960/1000/1050/1200	200-1200	4.5	88%
EM5610B32***	3-380-480V	50/60	1.1	1350/1500/1800/2200	200-2200	2.4	88%
EM5610B21***	3-380-480V	50/60	1.5	1350/1500/1800/2200	200-2200	3.2	89%
EM5610B31***	3-380-480V	50/60	2.2	1350/1500/1800/2200	200-2200	4.5	90%

	A	B	C	D	E	H	K	L	AB	AC	BB	EB	HD
56	140	100	/	20/24	/	90/100	11	/	180	138.5	130	/	141





3Ph 380-480VAC 50/60Hz	
1.5	3kW
0.9	
-25	-55
-30-40	-40
0-10V RS485	
B30	
IP55 IP66	
C3-H C4-H	
UL CE	

	[V]	[Hz]	[kW]	[r/min]		[A]	[%]
EM13210A31***	3-380-480V	50/60	1.5	720/960/1000/1200	200-1200	3.0-2.4	89%
EM13210A31***	3-380-480V	50/60	1.8	720/960/1000/1200	200-1200	3.5-2.9	89%
EM13210A31***	3-380-480V	50/60	2.2	720/960/1000/1200	200-1200	4.3-3.5	90%
EM13210A72***	3-380-480V	50/60	2.6	960/1000/1200	200-1200	5.0-4.0	90%
EM13210A41***	3-380-480V	50/60	3.0	960/1000/1200	200-1200	5.8-4.5	90%
EM13210B31***	3-380-480V	50/60	1.5	1300/1450/1500/1800	200-1800	3.0-2.4	90%
EM13210B31***	3-380-480V	50/60	1.8	1300/1450/1500/1800	200-1800	3.5-2.9	90%
EM13210B31***	3-380-480V	50/60	2.2	1300/1450/1500/1800	200-1800	4.3-3.5	91%
EM13210B72***	3-380-480V	50/60	2.6	1300/1450/1500/1800	200-1800	5.0-4.0	91%
EM13210B41***	3-380-480V	50/60	3.0	1300/1450/1500/1800	200-1800	5.8-4.5	91%

