

关于卧龙

1984

30

} /

产品介绍

卧龙集团

1Ph 230VAC 50/60Hz			
0.15kW-0.3kW			
0.6			
-25	60	-40	
-30-40			
0-10V RS485			
B3 B30 B14			
IP20 IP44 IP55 IP66			
C3-H C4-H			
UL	CE	CCC	

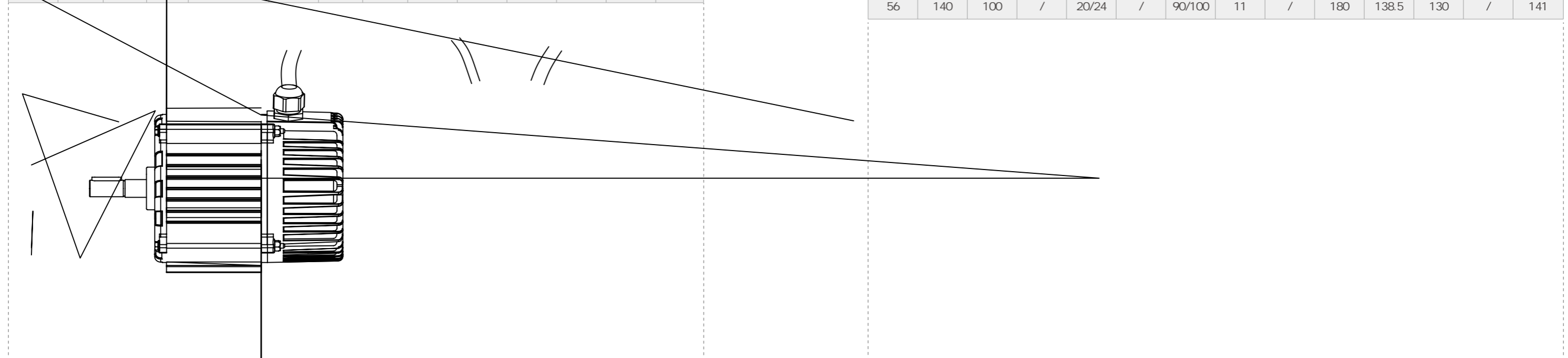
3Ph 380-480VAC 50/60Hz			
1.1 2.2kW			
0.9			
-25	-55	-40	
-30-40			
0-10V RS485			
B3 B30 B14			
IP55 IP66			
C3-H C4-H			
UL	CE		

	[V]	[Hz]	[kW]	[r/min]	[Hz]	[A]	[%]
EM4210A15***	1-220-240	50/60	0.15	720/960/1000/1050/1200	200-1200	1.4	80%
EM4210A13***	1-220-240	50/60	0.25	720/960/1000/1050/1200	200-1200	2.1	81%
EM4210A12***	1-220-240	50/60	0.37	960/1000/1050/1200	200-1200	2.8	82%
EM4210B15***	1-220-240	50/60	0.15	1350/1500/1800/2200	200-2200	1.5	81%
EM4210B13***	1-220-240	50/60	0.25	1350/1500/1800/2200	200-2200	2.2	82%
EM4210B12***	1-220-240	50/60	0.3	1350/1500/1800/2200	200-2200	3	83%

	[V]	[Hz]	[kW]	[r/min]	[Hz]	[A]	[%]
EM5610A32***	3-380-480V	50/60	1.1	720/960/1000/1050/1200	200-1200	2.4	86%
EM5610A21***	3-380-480V	50/60	1.5	720/960/1000/1050/1200	200-1200	3.2	87%
EM5610A31***	3-380-480V	50/60	2.2	960/1000/1050/1200	200-1200	4.5	88%
EM5610B32***	3-380-480V	50/60	1.1	1350/1500/1800/2200	200-2200	2.4	88%
EM5610B21***	3-380-480V	50/60	1.5	1350/1500/1800/2200	200-2200	3.2	89%
EM5610B31***	3-380-480V	50/60	2.2	1350/1500/1800/2200	200-2200	4.5	90%

	A	B	C	D	E	H	K	L	AB	AC	BB	EB	HD
42	112	90	45	12.7/15/17/20	/	71	8.5	244	135	102.5	110	/	135

	A	B	C	D	E	H	K	L	AB	AC	BB	EB	HD
56	140	100	/	20/24	/	90/100	11	/	180	138.5	130	/	141



1Ph 115, 230, 460VAC 3Ph 380-480VAC 50/60Hz

1/4-1HP,max 1kW

0.7

-20 ~-55 -40 -30-40

0-10V RS485 PWM

B3 B30

IP20 IP44 IP55 IP66

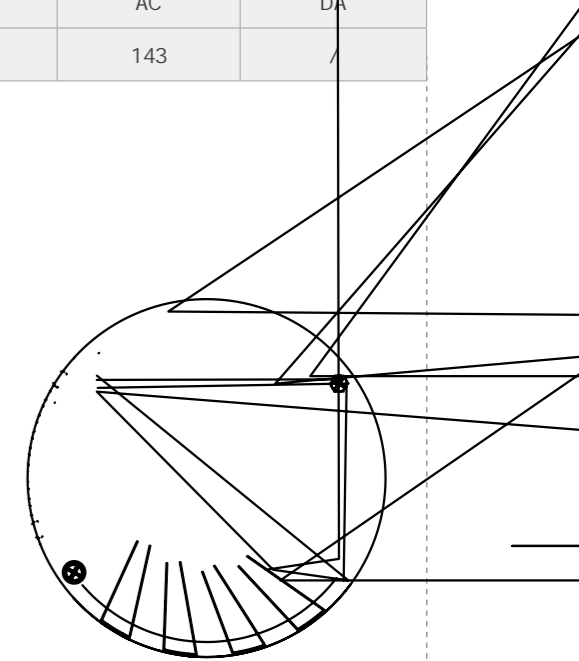
C3-H C4-H

UL CE CCC

	[V]	[Hz]	[HP]	[r/min]		[A]	[%]
EM4810B14***	1-115/230	50/60	1/4	720/960/1000/1050/1200	200-1200	3.1/1.8	81%
EM4810B12***	1-115/230	50/60	1/3	720/960/1000/1050/1200	200-1200	3.6/2.4	82%
EM4810B12***	1-115/230	50/60	1/2	720/960/1000/1050/1200	200-1200	5.9/3.3	82%
EM4810A34***	1-115/230	50/60	3/4	720/960/1000/1050/1200	200-1200	8/4.68	83%
EM4810A11***	1-115/230	50/60	1	960/1000/1050/1200	200-1200	9.5/5.8	84%
EM4810D14***	1-115/230	50/60	1/4	1350/1500/1800	200-1800	3.7/1.7	82%
EM4810D12***	1-115/230	50/60	1/3	1350/1500/1800	200-1800	4/2.2	83%
EM4810D12***	1-115/230	50/60	1/2	1350/1500/1800	200-1800	5.9/3.2	83%
EM4810C34***	1-115/230	50/60	3/4	1350/1500/1800	200-1800	8.4/4.5	85%
EM4810C11***	1-115/230	50/60	1	1350/1500/1800	200-1800	10.7/5.9	86%
EM4810E14***	1-460-480	50/60	1/4	1000/1050/1200/1500/1800	120-1800	0.85	83%
EM4810E12***	1-460-480	50/60	1/3	1000/1050/1200/1500/1800	120-1800	1.6	86%
EM4810E12***	1-460-480	50/60	1/2	1000/1050/1200/1500/1800	120-1800	1.6	86%
EM4810E34***	1-460-480	50/60	3/4	1000/1050/1200/1500/1800	120-1800	2.25	87%
EM4810E11***	1-460-480	50/60	1	1000/1050/1200/1500/1800	120-1800	3	88%

	[V]	[Hz]	[HP]	[r/min]		[A]	[%]
EM4810F14***	3-380-480	50/60	1/4	1000/1050/1200/1500/1800	120-1800	0.52-0.45	84%
EM4810F12***	3-380-480	50/60	1/3	1000/1050/1200/1500/1800	120-1800	0.95-0.84	87%
EM4810F12***	3-380-480	50/60	1/2	1000/1050/1200/1500/1800	120-1800	0.95-0.84	87%
EM4810F34***	3-380-480	50/60	3/4	1000/1050/1200/1500/1800	120-1800	1.33-1.16	88%
EM4810F11***	3-380-480	50/60	1	1000/1050/1200/1500/1800	120-1800	1.77-1.52	89%

	D	E	F	L	AC	DA
48	12.7/15/17/20	/	/	/	143	/



3Ph

1



	[V]
31***	3-380-480V
1***	3-380-480V
***	3-380-480V
*	3-380-480V
1A41	3-380-480V 5L
31***	3-380-480V 50/
31***	3-380-480V 50/6
1***	3-380-480V 50/6C

EM13210B72

EM13210B41**



[F V]



定制化电机案例 -EM42

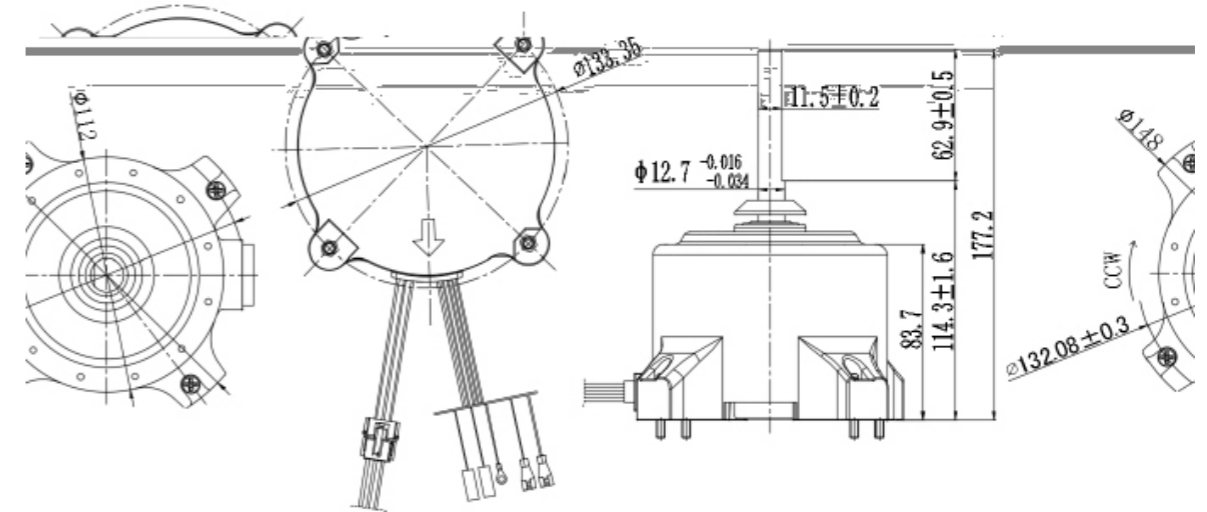
3Ph 380-480VAC 50/60Hz			
3 7.5kW			
0.9			
-25	-55	-40	
-30-40			
0-10V RS485			
B3 B30 B14			
IP55 IP66			
C3-H C4-H			
UL		CE	

1Ph 230VAC 50/60Hz			
0.25kW			
0.7			
-20	-60	-40	
-30-40			
PWM			
IP44			
C3-H			
UL CE CCC			

	[V]	[Hz]	[kW]	[r/min]	[Hz]	[A]	[%]
EM16010A112***	3-380-480V	50/60	4	720/960/1000/1050/1200	200-1200	8	90%
EM16010A071***	3-380-480V	50/60	5.5	720/960/1000/1050/1200	200-1200	11	91%
EM16010A101***	3-380-480V	50/60	7.5	960/1000/1050/1200	200-1200	15	91.6%
EM16010B112***	3-380-480V	50/60	4	1350/1500/1800/2200	200-2200	8	91.3%
EM16010B071***	3-380-480V	50/60	5.5	1350/1500/1800/2200	200-2200	11	92%
EM16010B101***	3-380-480V	50/60	7.5	1350/1500/1800/2200	200-2200	15	92.7%

	[V]	[Hz]	[kW]	[r/min]	[Hz]	[A]	[%]
ZWB**10**	220-240	50/60	0.25	960/1000/1050 /1160/1200	200-1200	2.1	81%

	A	B	C	D	E	H	K	L	AB	AC	BB	EB	HD
160T	254	160	70	42	/	160	15	452	304	303	200	/	313



※ 电机轴径，轴长及引线长度可定制

000000